

CATV Semiflex Connectors



[Click Here to Go to Table of Contents](#)



Broadband Interconnect Solutions

Ordering Information

To obtain information on price and delivery call Times Fiber Communications, Inc. at Wallingford, CT

Direct
800-677-2288
203-265-8500

Fax Number
203-265-8422

Specifications

Specifications in this document are subject to change without notice. Contact your TFC\Amphenol sales representative for the latest specifications.

Amphenol is a registered trademark of Amphenol Corporation.



Contents

[\(Click on Link\(s\) Below to Jump to Page\)](#)

Hardline/Semiflex Connectors

Features and Specifications	2-3
Pin	4
Splice	5
Feedthru	6
Hardline/Semiflex to F Male	7
Hardline/Semiflex to F Female	8
Straight and 180° Extension Adapters	9
90° Adapters	10
Miscellaneous Adapters	11-12
Cable Preparation	13
Assembly Instruction	14-16

Hardline/Semiflex Reference Section

Part Number Cross Reference	17-19
---	-------

Hardline/Semiflex Technical Section

Connector Weights	20
Connector Hex Sizes	20
Connector Specifications	21
Cable Retention Specification	21
Packaging Information	22

Reference Section

Part Number Index	23-25
-----------------------------------	-------

Specifications subject to change without notice

*Customers are reminded that they are **SOLELY** responsible for confirming that Times Fiber Communications products are properly installed and used in accordance with all applicable codes and regulations.*

Hardline/Semiflex Cable Connectors Specifications

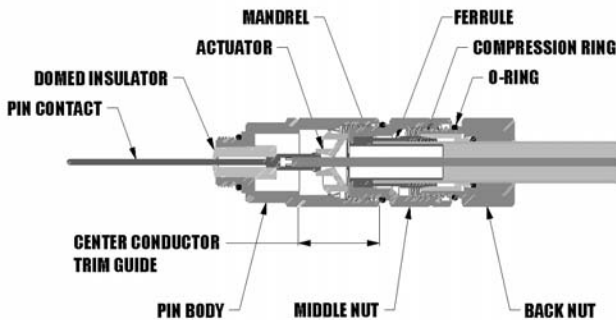
[Click Here to Return to Table of Contents](#)

Easier Installation and Reusability

TFC/Amphenol's superior connector design incorporates a unique gripping mechanism which results in the reduced installation torque (less than 25 ft. lbs.) and repeated use. The connector design eliminates the single-slotted aluminum C-ring used by others and replaces it with a six slotted brass gripper. The multiple slotted brass material produces a reusable, recoverable low torque action which gives the installer the most user-friendly features available today.

Other installation-friendly features include slim body design for confined spaces, one wrench size, and a metal-to-metal positive stop to eliminate over and undertightening of the connector.

The HFC networks being planned and built by the major MSOs and telcos cannot afford the compromise of inferior infrastructure when burdened with carrying life line telephony and data traffic. TFC/Amphenol's hardline/semiflex connectors are truly high performance devices, designed to meet the information carriage and reliability requirements of tomorrow's digital HFC networks.



SPECIFICATIONS*

ELECTRICAL

Impedance	75 Ohm
Return Loss	≥ 30 dB @ 1.0 GHz
Insertion Loss	≤ 0.2 dB @ 1.0 GHz

MECHANICAL

Mating	Pin type has standard 5/8-24 UNEF thread. Full cable retention over temperature range.
--------	--

ENVIRONMENTAL

Temperature range	- 40°F (-40°C) to +140°F (+60°C) Copolymer of Styrene: - 55°C to +85°C
Corrosion	Designed to meet ASTM B 117 336 Hr. corrosion test when assembled into cable

MATERIAL & FINISH

Materials	
Aluminum	6262 type
Brass	Alloys to QQQ-B-626
Plastics	To various specifications
O-Rings	Ethylene propylene
Finishes	
Aluminum	Chromate conversion
Brass	Nickel plate

LEGEND

Hardline/Semiflex Product Guide

- CH = Pin Type
- SP = Splice Type
- B = Feedthru
- AFM = F Male to Semiflex Adapter
- BAFF = F Female to Semiflex Adapter

Cable Type Codes

- TX = Times Fiber TX Series
Cable Sizes 565, 700, 840, 1160
- TX15 = Flexible Feeder Series
- T10/P3 = Times Fiber T10 and Commscope P3 Series
Cable Sizes 412, 500, 625, 750, 875, 1000
- MC = Trilogy MC² Series
Cable Sizes 440, 500, 650, 750, 1000
- QR = Commscope QR Series
Cable Sizes 540, 715, 860, 1125
- P1 = Commscope P1 Series and Northern Electric
Cable Sizes 412, 500, 750

*Specifications subject to change without notice
Customers are reminded that they are **SOLELY** responsible for confirming that Times Fiber Communications products are properly installed and used in accordance with all applicable codes and regulations.*

Pin Connectors

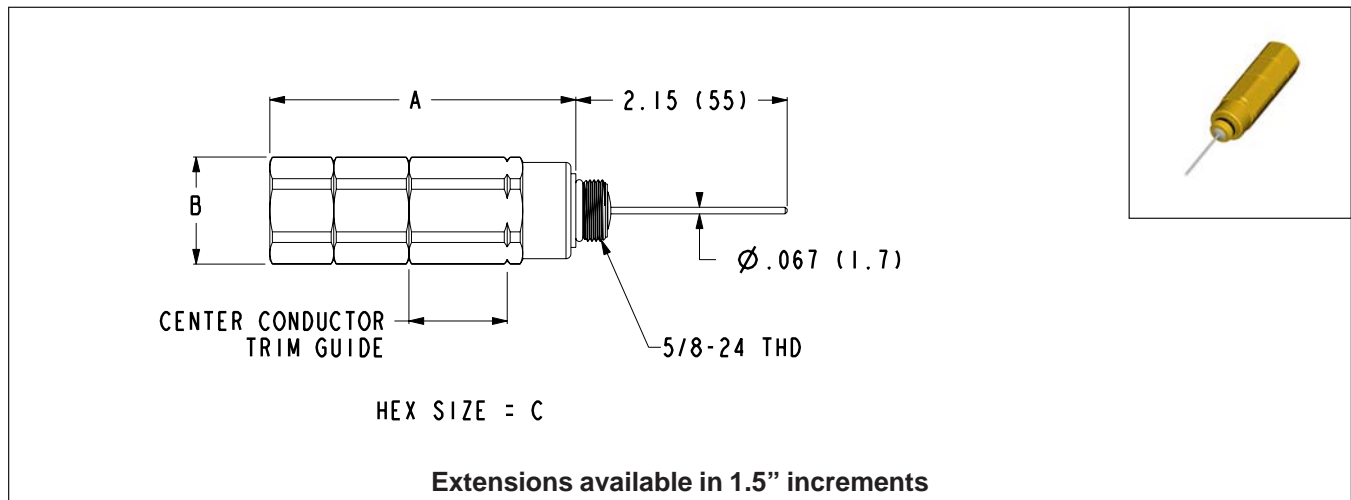
[Click Here to Return to Table of Contents](#)

TFC/Amphenol pin connectors are available for all popular 75 ohm semiflex cables. They fit all 5/8-24 chassis port equipment, including amplifiers, line extenders, power supply ports, taps and passives.

TFC/Amphenol pin connectors are the absolute best performing connectors available, both mechanically and electrically, at an affordable price. Featuring a three piece design, the outer conductor gripping mechanism is in the middle nut of the connector, not in the turning back nut. This ensures that the cable does not twist and turn during installation. Long pins (2.0 in) are standard to guarantee that each connector fits every manufacturer's equipment. Constant impedance provides superior electrical continuity to your connections and your system.

Features

- > 30dB return loss.
- Easy three-piece assembly greatly reduces installation errors.
- Non-rotational design prevents expansion loop from turning.
- Positive stops to prevent excessive torque and cable deformation.
- Low installation torque.
- Meets all SCTE specifications.
- Two inch long pins standard.
- Date stamped for manufacturing/customer control



Pin Connectors

Cable Type	Dimensions, inches (mm)			Amphenol Number
	A	B	C	
TFC T-10/Commscope P3	3.220 (82)	1.090 (28)	1.000 (25)	ACC-412CHT10
	3.220 (82)	1.090 (28)	1.000 (25)	ACC-500CHT10
	3.130 (80)	1.250 (28)	1.125 (29)	ACC-625CHT10
	3.220 (82)	1.370 (35)	1.250 (32)	ACC-750CHT10
	3.220 (82)	1.500 (38)	1.375 (35)	ACC-875CHT10
	3.220 (82)	1.625 (41)	1.500 (38)	ACC-1000CHT10
TFC TX Flexible Feeder	3.220 (82)	1.090 (28)	1.000 (25)	ACC-15CHT10U
TFC Power Feeder	Contact your local sales representative for specifications			
TFC TX10	3.130 (80)	1.250 (32)	1.125 (29)	ACC-565CHTX
	3.130 (80)	1.370 (35)	1.250 (32)	ACC-700CHTX
	3.220 (82)	1.500 (38)	1.375 (35)	ACC-840CHTX
	3.220 (82)	1.875 (48)	1.750 (44)	ACC-1160CHTX
Trilogy MC2	3.220 (82)	1.090 (28)	1.000 (25)	ACC-440CHMC
	3.220 (82)	1.090 (28)	1.000 (25)	ACC-500CHMC
	3.340 (85)	1.370 (35)	1.250 (32)	ACC-650CHMC
	3.340 (85)	1.500 (38)	1.375 (35)	ACC-750CHMC
	3.340 (85)	1.875 (48)	1.750 (44)	ACC-1000CHMC
Commscope QR	3.220 (82)	1.250 (32)	1.125 (29)	ACC-540CHQR
	3.130 (80)	1.500 (38)	1.375 (35)	ACC-715CHQR
	3.130 (80)	1.625 (41)	1.500 (38)	ACC-860CHQR
	3.130 (80)	1.875 (48)	1.750 (44)	ACC-1125CHQR
Commscope P1/Northern Electric	3.130 (80)	1.090 (28)	1.000 (25)	ACC-412CHP1
	3.130 (80)	1.090 (28)	1.000 (25)	ACC-500CHP1
	3.220 (82)	1.370 (35)	1.250 (32)	ACC-750CHP1

Specifications subject to change without notice

*Customers are reminded that they are **SOLELY** responsible for confirming that Times Fiber Communications products are properly installed and used in accordance with all applicable codes and regulations.*

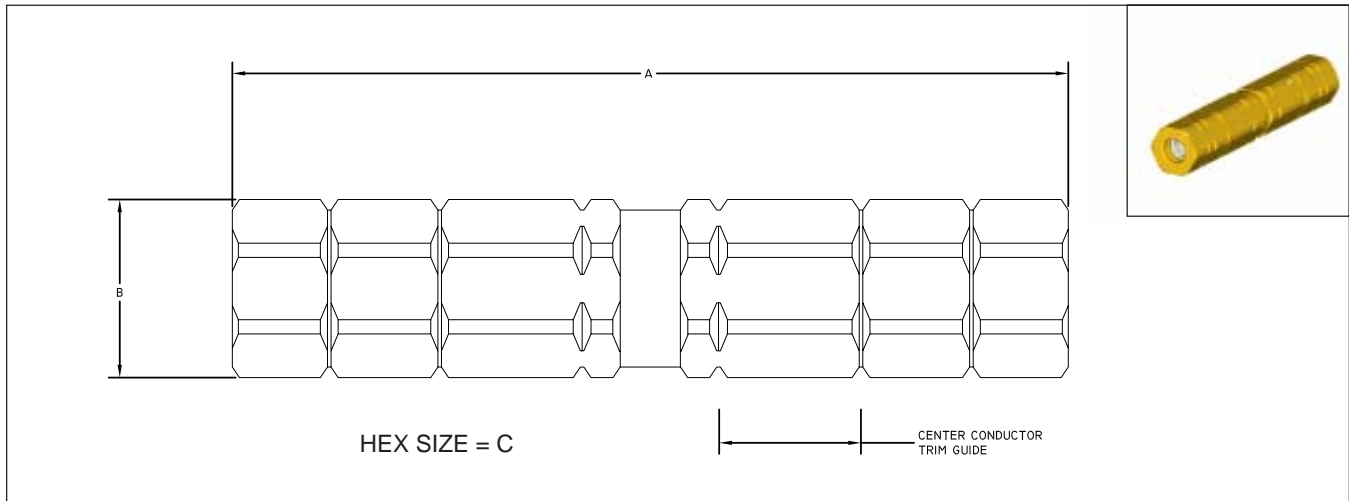
Splice Connectors

[Click Here to Return to Table of Contents](#)

TFC/Amphenol's splice connector is utilized when joining two similar size cables together. All seizing of the center conductor and outer conductor is done independently using TFC/Amphenol's unique three piece connector concept. It features the non-rotational design, positive stop installation and superior electrical performance.

Features

- > 30dB return loss.
- Easy three-piece assembly greatly reduces installation errors.
- Non-rotational design prevents cable from turning.
- Positive stops to prevent excessive torque.
- Low installation torque.
- Meets all SCTE specifications
- Date stamped for manufacturing/customer control



Splice Connectors

Cable Type	Dimensions, inches (mm)			Amphenol Number
	A	B	C	
TFC T-10/Commscope P3	5.840 (148)	1.090 (28)	1.000 (25)	ACC-412SPT10
	5.840 (148)	1.090 (28)	1.000 (25)	ACC-500SPT10
	5.840 (148)	1.250 (28)	1.125 (29)	ACC-625SPT10
	6.040 (153)	1.370 (35)	1.250 (32)	ACC-750SPT10
	6.040 (153)	1.500 (38)	1.375 (35)	ACC-875SPT10
	6.040 (148)	1.625 (41)	1.500 (38)	ACC-1000SPT10
TFC TX Flexible Feeder	5.840 (148)	1.090 (28)	1.000 (25)	ACC-15SPT10U
TFC Power Feeder	Contact your local sales representative for specifications			
TFC TX10	6.040 (148)	1.250 (32)	1.125 (29)	ACC-565SPTX
	6.040 (148)	1.370 (35)	1.250 (32)	ACC-700SPTX
	6.040 (148)	1.500 (38)	1.375 (35)	ACC-840SPTX
	5.840 (148)	1.875 (48)	1.750 (44)	ACC-1160SPTX
Trilogy MC2	5.840 (148)	1.090 (28)	1.000 (25)	ACC-440SPMC
	6.040 (148)	1.090 (28)	1.000 (25)	ACC-500SPMC
	6.040 (148)	1.370 (35)	1.250 (32)	ACC-650SPMC
	6.040 (148)	1.500 (38)	1.375 (35)	ACC-750SPMC
	6.100 (155)	1.875 (48)	1.750 (44)	ACC-1000SPMC
Commscope QR	6.270 (159)	1.250 (32)	1.125 (29)	ACC-540SPQR
	6.270 (159)	1.500 (38)	1.375 (35)	ACC-715SPQR
	6.300 (160)	1.625 (41)	1.500 (38)	ACC-860SPQR
	6.300 (160)	1.875 (48)	1.750 (44)	ACC-1125SPQR
Commscope P1/Northern Electric	5.840 (148)	1.090 (28)	1.000 (25)	ACC-412SPP1
	5.840 (148)	1.090 (28)	1.000 (25)	ACC-500SPP1
	6.040 (153)	1.370 (35)	1.250 (32)	ACC-750SPP1

Specifications subject to change without notice

Customers are reminded that they are **SOLELY** responsible for confirming that Times Fiber Communications products are properly installed and used in accordance with all applicable codes and regulations.

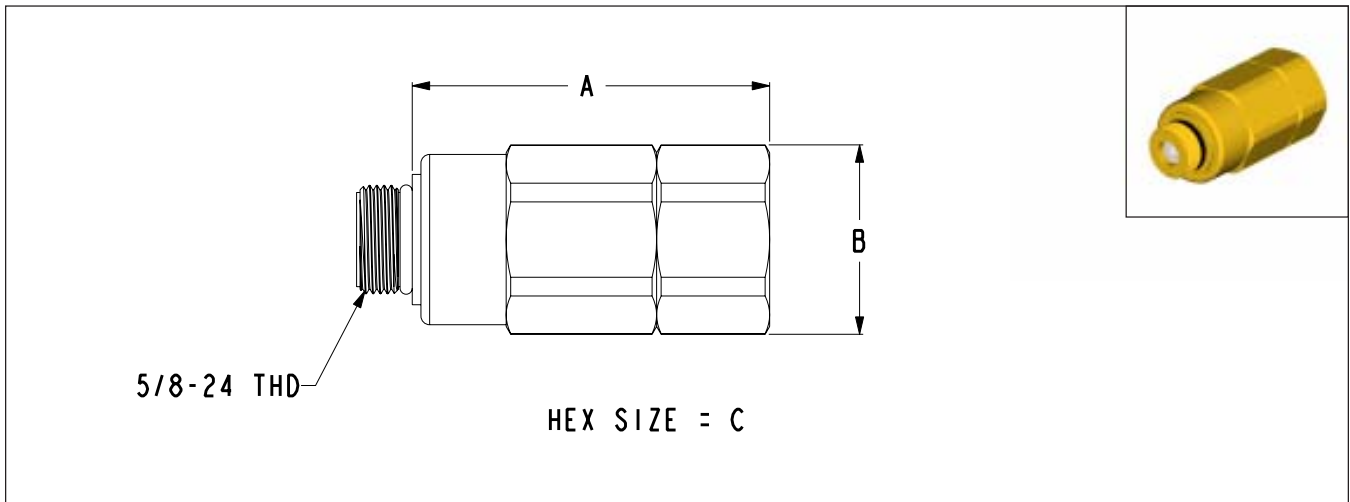
Feedthru Connectors

[Click Here to Return to Table of Contents](#)

The two piece feedthru connector is a device that fits all 5/8-24 UNEF thread type port interfaces. The cable center conductor extends through the connector and is retained within the housing. TFC/Amphenol's feedthru type connector retains all advantages of the non-rotational design, maintaining superior shielding effectiveness with an integral sleeve and positive stop installation.

Features

- Non-rotational design prevents expansion loop from turning.
- Positive stops to prevent excessive torque.
- Low installation torque.
- Meets SCTE specifications
- Date stamped for manufacturing/customer control



Feedthru Connectors

Cable Type	Dimensions, inches (mm)			Amphenol Number
	A	B	C	
TFC T-10/Commscope P3	2.155 (55)	1.090 (28)	1.000 (25)	ACC-500BT10
TFC TX10	2.155 (55)	1.250 (32)	1.125 (29)	ACC-565BTX
Commscope QR	2.155 (55)	1.250 (28)	1.125 (29)	ACC-540BQR

Specifications subject to change without notice

*Customers are reminded that they are **SOLELY** responsible for confirming that Times Fiber Communications products are properly installed and used in accordance with all applicable codes and regulations.*

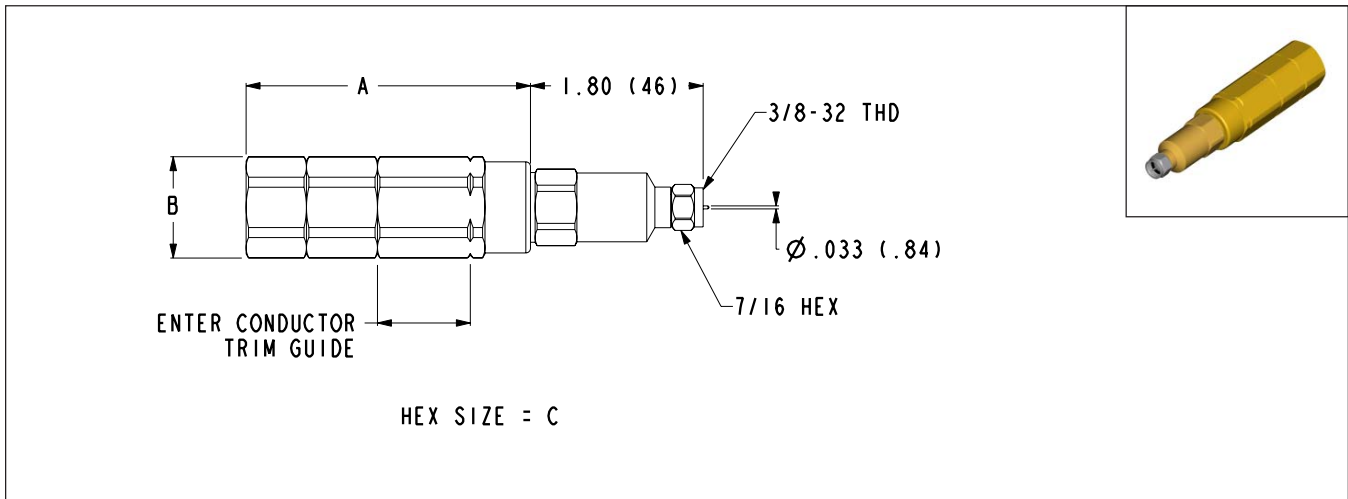
Hardline/Semiflex to F Male Connectors

The F male connectors are available for all popular 75 ohm semiflex cables. They allow the direct connection of semiflex cables to F drop female ports.

The F male connector comes with a center conductor gripping mechanism that is in the body of the connector. It also maintains all of the important installation and performance advantages of TFC/Amphenol's unique three piece pin connector.

Features

- > 30dB return loss.
- Easy three-piece assembly greatly reduces installation errors.
- Non-rotational design prevents cable from turning.
- Positive stops to prevent excessive torque.
- Low installation torque.
- Meets SCTE specifications
- Date stamped for manufacturing/customer control



Hardline/Semiflex to F Adapters

Cable Type	Dimensions, inches (mm)			Amphenol Number
	A	B	C	
TFC T-10/Commscope P3	2.850 (72)	1.090 (28)	1.000 (25)	ACC-412AFMT10
	2.850 (72)	1.090 (28)	1.000 (25)	ACC-500AFMT10
	2.850 (72)	1.250 (28)	1.125 (29)	ACC-625AFMT10
	2.850 (72)	1.370 (35)	1.250 (32)	ACC-750AFMT10
	2.850 (72)	1.500 (38)	1.375 (35)	ACC-875AFMT10
	2.850 (72)	1.625 (41)	1.500 (38)	ACC-1000AFMT10
TFC TX Flexible Feeder	2.850 (72)	1.090 (28)	1.000 (25)	ACC-15AFMT10U
TFC TX10	2.850 (72)	1.250 (32)	1.125 (29)	ACC-565AFMTX
	2.850 (72)	1.370 (35)	1.250 (32)	ACC-700AFMTX
	2.850 (72)	1.500 (38)	1.375 (35)	ACC-840AFMTX
	2.850 (72)	1.875 (48)	1.750 (44)	ACC-1160AFMTX
Trilogy MC2	2.850 (72)	1.090 (28)	1.000 (25)	ACC-500AFMMC
	2.850 (72)	1.370 (35)	1.250 (32)	ACC-650AFMMC
	2.850 (72)	1.500 (38)	1.375 (35)	ACC-750AFMMC
Commscope QR	3.000 (76)	1.250 (32)	1.125 (29)	ACC-540AFMQR
	3.100 (79)	1.500 (38)	1.375 (35)	ACC-715AFMQR
	3.100 (79)	1.625 (41)	1.500 (38)	ACC-860AFMQR
	3.200 (81)	1.875 (48)	1.750 (44)	ACC-1125AFMQR

Specifications subject to change without notice

Customers are reminded that they are **SOLELY** responsible for confirming that Times Fiber Communications products are properly installed and used in accordance with all applicable codes and regulations.

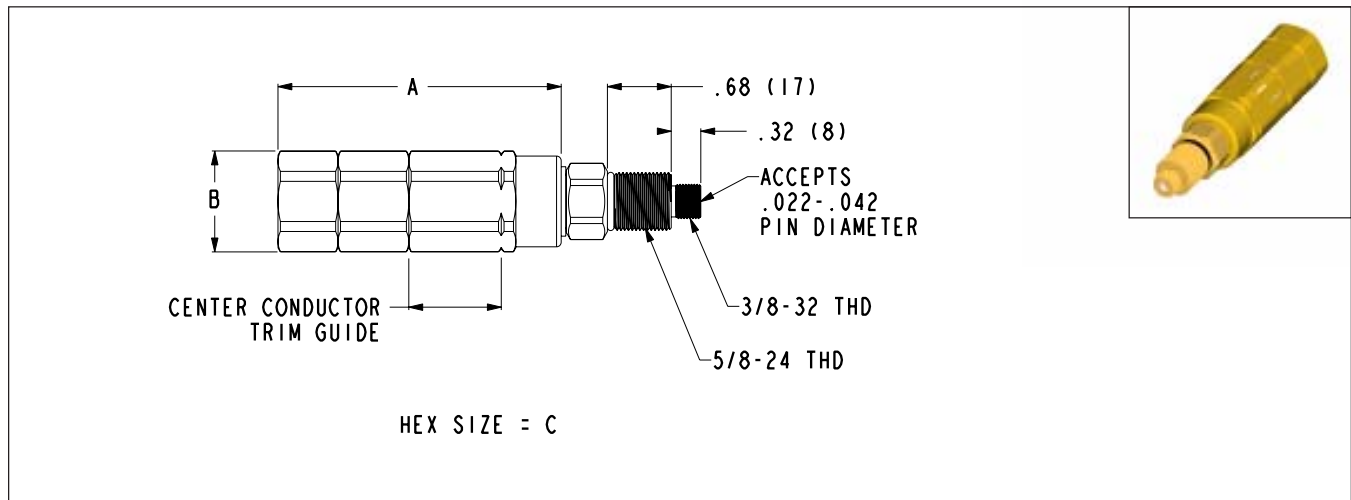
Hardline/Semiflex to F Female Connectors

The F female connectors are available for all popular 75 ohm semiflex cables. Center conductor tolerant, they accept a majority of F drop male connectors and allow for drop cable to be spliced to the semiflex coax.

The F female connector comes with a center conductor gripping mechanism that is in the body of the connector. It also maintains all of the important installation and performance advantages of TFC/Amphenol's unique three piece pin connector.

Features

- > 30dB return loss.
- Easy three-piece assembly greatly reduces installation errors.
- Non-rotational design prevents cable from turning.
- Positive stops to prevent excessive torque.
- Low installation torque.
- Meets SCTE specifications
- Date stamped for manufacturing/customer control



Hardline/Semiflex to F Adapters

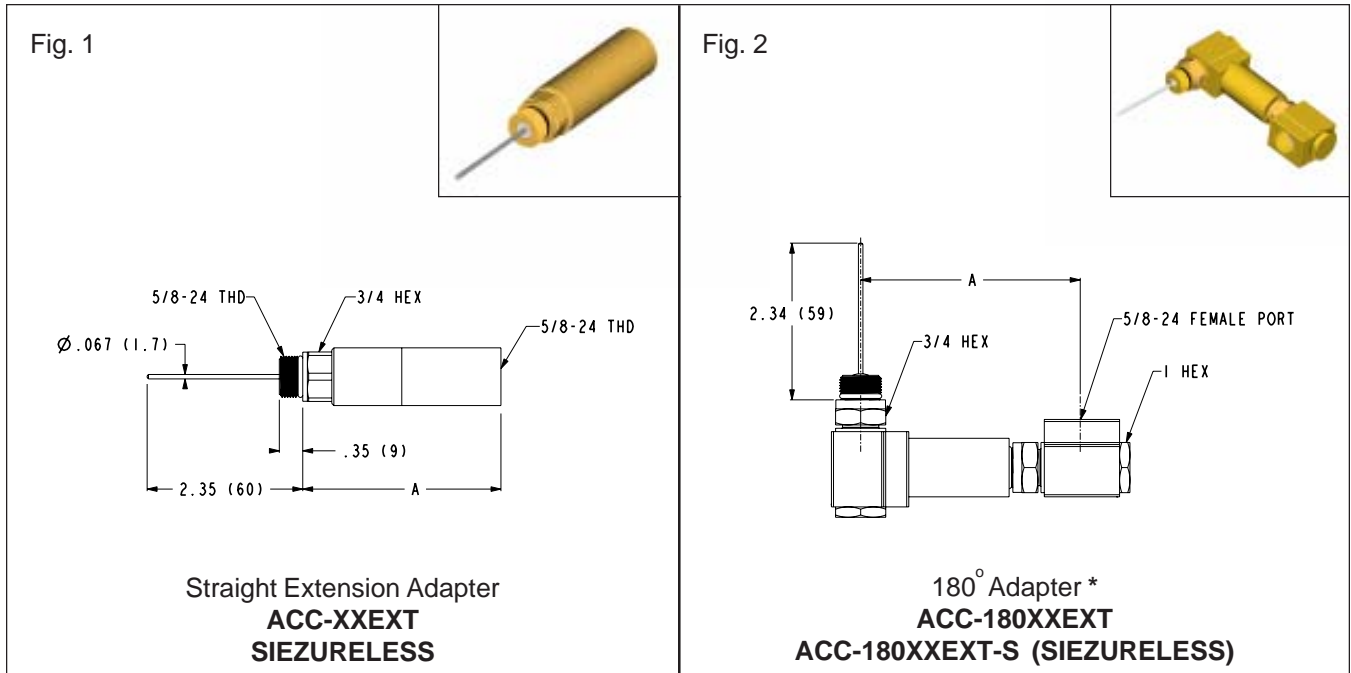
Cable Type	Dimensions, inches (mm)			Amphenol Number
	A	B	C	
TFC T-10/Commscope P3	3.130 (80)	1.090 (28)	1.000 (25)	ACC-412BAFFT10
	3.130 (80)	1.090 (28)	1.000 (25)	ACC-500BAFFT10
	3.130 (80)	1.250 (28)	1.125 (29)	ACC-625BAFFT10
	3.220 (82)	1.370 (35)	1.250 (32)	ACC-750BAFFT10
	3.220 (82)	1.500 (38)	1.375 (35)	ACC-875BAFFT10
TFC TX10	3.220 (82)	1.625 (41)	1.500 (38)	ACC-1000BAFFT10
	3.130 (80)	1.250 (32)	1.125 (29)	ACC-565BAFFTX
	3.220 (82)	1.370 (35)	1.250 (32)	ACC-700BAFFTX
	3.220 (82)	1.500 (38)	1.375 (35)	ACC-840BAFFTX
Trilogy MC2	3.220 (82)	1.875 (48)	1.750 (44)	ACC-1160BAFFTX
	3.130 (80)	1.090 (28)	1.000 (25)	ACC-500BAFFMC
	3.220 (82)	1.370 (35)	1.250 (32)	ACC-650BAFFMC
Commscope QR	3.220 (82)	1.500 (38)	1.375 (35)	ACC-750BAFFMC
	3.340 (85)	1.250 (32)	1.125 (29)	ACC-540BAFFQR
	3.340 (85)	1.500 (38)	1.375 (35)	ACC-715BAFFQR
Commscope P1/Northern Electric	3.340 (85)	1.625 (41)	1.500 (38)	ACC-860BAFFQR
	3.340 (85)	1.875 (48)	1.750 (44)	ACC-1125BAFFQR
	3.130 (80)	1.090 (28)	1.000 (25)	ACC-412BAFFP1

Specifications subject to change without notice

Customers are reminded that they are **SOLELY** responsible for confirming that Times Fiber Communications products are properly installed and used in accordance with all applicable codes and regulations.

Adapters

[Click Here to Return to Table of Contents](#)



* 3/8" CENTER PIN TRIM GAUGE ON BODY


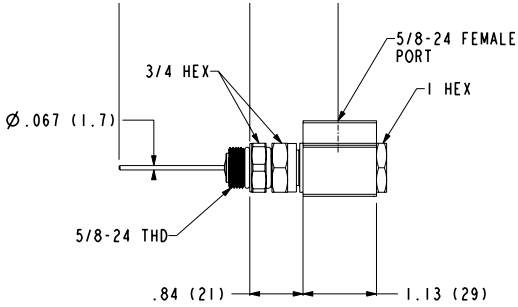

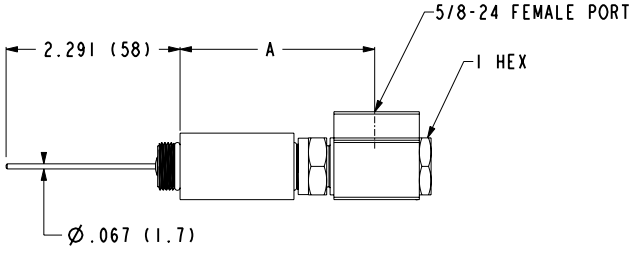
Adapters

Description	Dimensions, inches (mm) A	Amphenol Number	Fig.
Straight Extension	1.5 (38)	ACC-15EXT	1
Straight Extension	3.0 (76)	ACC-30EXT	1
Straight Extension	4.5 (114)	ACC-45EXT	1
Straight Extension	6.0 (152)	ACC-60EXT	1
Straight Extension	9.0 (229)	ACC-90EXT	1
Straight Extension	12.0 (305)	ACC-120EXT	1

Description	Dimensions, inches (mm) A	Amphenol Number	Fig.
180°	3.1 (79)	ACC-18015EXT	2
180°	3.1 (79)	ACC-18015EXT-S	2
180°	4.6 (117)	ACC-18030EXT	2
180°	4.6 (117)	ACC-18030EXT-S	2
180°	6.1 (155)	ACC-18045EXT	2
180°	6.1 (155)	ACC-18045EXT-S	2
180°	7.6 (193)	ACC-18060EXT	2
180°	7.6 (193)	ACC-18060EXT-S	2

Adapters

[Click Here to Return to Table of Contents](#)

<p>Fig. 1</p> <p>Receives Pin Length of 3/8 Inch (10mm).</p>   <p style="text-align: center;"> 90° Adapter * ACC-90 ACC-90-S (SIEZURELESS) 90° Swivel Adapter * ACC-SW90 ACC-SW90-S (SIEZURELESS) </p>	<p>Fig. 2</p> <p>Receives Pin Length of 3/8 Inch (10mm).</p>   <p style="text-align: center;"> 90° Adapter * ACC-90XXEXT ACC-90XXEXT-S (SIEZURELESS) 90° Swivel Extension Adapter * ACC-SW90XXEXT ACC-SW90XXEXT-S (SIEZURELESS) </p>
---	--

* 3/8" CENTER PIN TRIM GAUGE ON BODY

Adapters

Description	Dimensions, inches (mm) A	Amphenol Number	Fig.
90°	1.0 (25)	ACC-90	1
90°	1.0 (25)	ACC-90-S	1
90° Swivel	1.3 (33)	ACC-SW90	1
90° Swivel	1.3 (33)	ACC-SW90-S	1


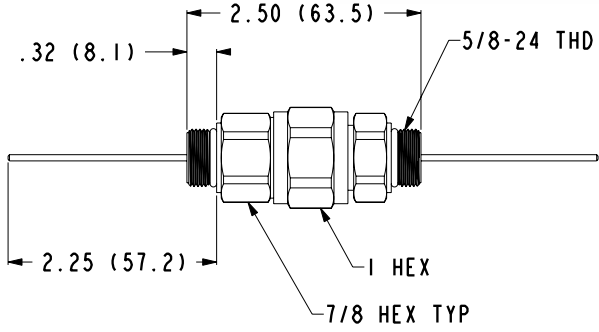

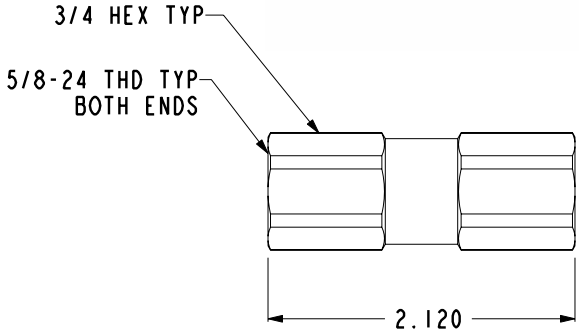

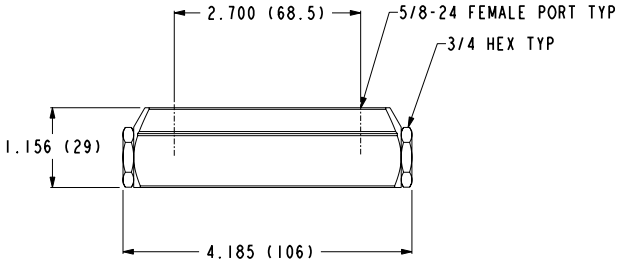

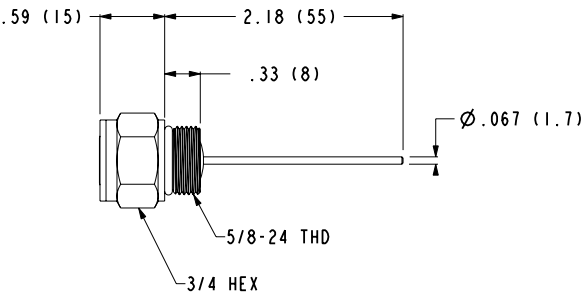
Description	Dimensions, inches (mm) A	Amphenol Number	Fig.
90° Extension	1.5 (38)	ACC-90	2
90° Extension	1.5 (38)	ACC-90-S	2
90° Extension	3.0 (76)	ACC-9015EXT	2
90° Extension	3.0 (76)	ACC-9015EXT-S	2
90° Extension	4.5 (114)	ACC-9030EXT	2
90° Extension	4.5 (114)	ACC-9030EXT-S	2
90° Extension	6.0 (152)	ACC-9045EXT	2
90° Extension	6.0 (152)	ACC-9045EXT-S	2
90° Extension	9.0 (229)	ACC-9060EXT	2
90° Extension	9.0 (229)	ACC-9060EXT-S	2
90° Swivel Extension	2.8 (71)	ACC-SW9015EXT	2
90° Swivel Extension	2.8 (71)	ACC-SW9015EXT-S	2
90° Swivel Extension	4.3 (109)	ACC-SW9030EXT	2
90° Swivel Extension	4.3 (109)	ACC-SW9030EXT-S	2
90° Swivel Extension	1.0 (25)	ACC-SW9045EXT	2
90° Swivel Extension	1.0 (25)	ACC-SW9045EXT-S	2
90° Swivel Extension	1.0 (25)	ACC-SW9060EXT	2
90° Swivel Extension	1.0 (25)	ACC-SW9060EXT-S	2
90° Swivel Extension	9.0 (229)	ACC-SW9090EXT	2
90° Swivel Extension	9.0 (229)	ACC-SW9090EXT-S	2

Specifications subject to change without notice

*Customers are reminded that they are **SOLELY** responsible for confirming that Times Fiber Communications products are properly installed and used in accordance with all applicable codes and regulations.*

Miscellaneous Adapters

[Click Here to Return to Table of Contents](#)

<p>Fig. 1</p>   <p>Housing to Housing Adapter ACC-HSGHSGNR</p>	<p>Fig. 2</p> <p>Receives Pin Length of 3/8 Inch (10mm).</p>   <p>Chassis to Chassis Adapter ACC-HSGHSGF</p>
<p>Fig. 3</p> <p>Receives Pin Length of 3/8 Inch (10mm).</p>   <p>Pedestal Splice Block ACC-PSB-01 ACC-PSB-S (SIEZURELESS)</p>	<p>Fig. 4</p> <p>VOLTAGE RATING 1000 VOLTS</p>   <p>Terminator ACC-TRM-01</p>






Adapters

Description	Amphenol Number	Fig.
Male to Male Adapter	ACC-HSGHSGNR	1
Female to Female Adapter	ACC-HSGHSGF	2
Pedestal Splice Block	ACC-PSB-01	3
PSB-Siezureless	ACC-PSB-S	3
Port Terminator	ACC-TRM-01	4

Specifications subject to change without notice
Customers are reminded that they are **SOLELY** responsible for confirming that Times Fiber Communications products are properly installed and used in accordance with all applicable codes and regulations.

Miscellaneous Adapters

[Click Here to Return to Table of Contents](#)

<p>Fig. 1</p>  <p>3/8-32 THD 7/16 HEX 3/4 HEX Ø .030 (0.8)</p> <p>F Male to Pin Connector ACC-AFM</p>	 <p>BAFF-GND</p>	<p>Fig. 2</p>  <p>BAFF</p> <p>5/8-24 THD 3/8-32 THD 3/4 HEX 5/8-24 THD .32 (8) 1.0 (25) 1.45 (37)</p> <p>F Female to Pin Connector ACC-BAFF ACC-BAFF-GND (GROUNDED)</p>
<p>Fig. 3</p>  <p>5/8-24 THD 3/4 HEX 3/8-32 THD Ø .067 (1.7) .36 (9) 2.35 (60) .35 (9)</p> <p>F Female to Housing with Power Passing ACC-F625CH</p>	<p>Fig. 4</p>  <p>VOLTAGE RATING 1000 VOLTS</p> <p>5/8-24 THD 3/4 HEX 3/8-32 THD Ø .067 (1.7) .36 (9) 2.35 (60) .35 (9)</p> <p>F Female to Housing with Power Blocking ACC-F625CHDCB</p>	

Adapters

Description	Amphenol Number	Fig.
F Male to Pin Connector	ACC-AFM	1
F Female to Pin Connector	ACC-BAFF	2
F Female to Pin Connector Grounded	ACC-BAFF-GND	2
F Female to Housing w/ White Insulator Identifier	ACC-F625CH	3
F Male to Housing w/ Power Block w/ Red Insulator Identifier	ACC-F625CHDCB	4

Specifications subject to change without notice

Customers are reminded that they are **SOLELY** responsible for confirming that Times Fiber Communications products are properly installed and used in accordance with all applicable codes and regulations.

Assembly Instructions

CABLE PREPARATION

[Click Here to Return to Table of Contents](#)

Fig. 1

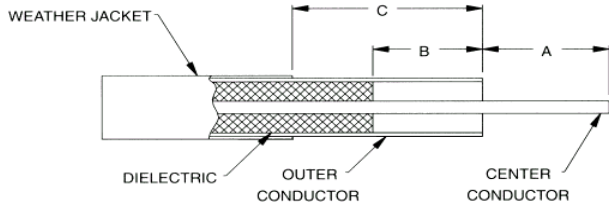
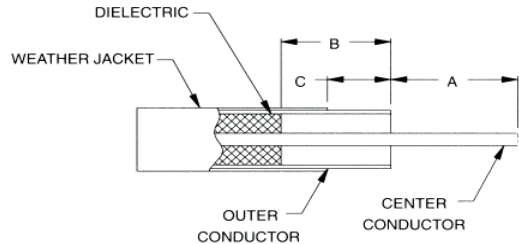


Fig. 2



Cable preparation dimensions for pin connectors, splice connectors and semiflex to F adapters.

Cable Size	Fig.	Dimensions, inches (mm)		
		A	B	C
412T10/P3	1	1.000 (25)	0.875 (22)	3.000 (76)
500T10/P3	1	1.000 (25)	0.875 (22)	3.000 (76)
625T10/P3	1	1.000 (25)	0.875 (22)	3.000 (76)
750T10/P3	1	1.000 (25)	0.875 (22)	3.000 (76)
875T10/P3	1	1.000 (25)	0.875 (22)	3.000 (76)
1000T10/P3	1	1.000 (25)	1.250 (32)	3.000 (76)
565TX	1	1.000 (25)	0.875 (22)	3.000 (76)
700TX	1	1.000 (25)	0.875 (22)	3.000 (76)
840TX	1	1.000 (25)	0.875 (22)	3.000 (76)
1160TX	1	1.000 (25)	1.250 (32)	3.000 (76)
440MC2	1	1.000 (25)	0.875 (22)	3.000 (76)
500MC2	1	1.000 (25)	0.875 (22)	3.000 (76)
650MC2	1	1.000 (25)	0.875 (22)	3.000 (76)
750MC2	1	1.000 (25)	0.875 (22)	3.000 (76)
1000MC2	1	1.000 (25)	1.250 (32)	3.000 (76)
540QR	2	1.000 (25)	1.250 (28)	0.500 (13)
715QR	2	1.000 (25)	1.250 (28)	0.625 (16)
860QR	2	1.000 (25)	1.250 (28)	0.625 (16)
1125QR	2	1.000 (25)	1.250 (32)	0.625 (16)

Cable preparation dimensions for feedthru connectors.

Cable Size	Fig.	Dimensions, inches (mm)		
		A	B	C
412T10/P3	1	1.000 (25)	0.875 (22)	2.000 (51)
500T10/P3	1	1.000 (25)	0.875 (22)	2.000 (51)
625T10/P3	1	1.000 (25)	0.875 (22)	2.000 (51)
565TX	1	1.000 (25)	0.875 (22)	2.000 (51)
440MC2	1	1.000 (25)	0.875 (22)	2.000 (51)
500MC2	1	1.000 (25)	0.875 (22)	2.000 (51)
540QR	2	1.000 (25)	1.250 (32)	0.500 (13)

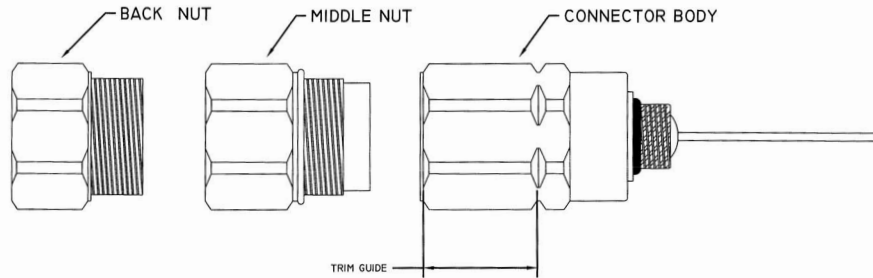
Specifications subject to change without notice

Customers are reminded that they are **SOLELY** responsible for confirming that Times Fiber Communications products are properly installed and used in accordance with all applicable codes and regulations.

Assembly Instructions

[Click Here to Return to Table of Contents](#)

PIN CONNECTORS



Step 1	Read all instructions before starting assembly procedure.
Step 2	Prepare the cable as shown in Figures 1 and 2 using the appropriate cable prep tools. Expose the cable center conductor to the length shown in the table (A) or use the trim guide on the connector body. Be sure the center conductor has been cleaned to the copper layer using wooden or plastic scrapers. Do not scratch, cut or dent the copper layer. Core depth (B) is shown in the table and can easily be achieved with a standard coring tool. Trim cable jacket to the length given in the table (C). Utilize the jacket stripping tool provided with the coring tool (no knives). Do not cut or dent the aluminum outer conductor while removing the weather jacket.
Step 3	Remove the connector body from the connector assembly and thread into mating receptacle. If there is a set screw in the receptacle, do not tighten now (this is done last). Tighten connector body to equipment manufacturer's recommendation.
Step 4	If heat shrink or air shrink is to be used, place it over the cable now.
Step 5	Slide the back nut and the middle nut over the cable outer conductor and jacket until the middle nut bottoms against the end of the cable outer conductor.
Step 6	Guide the cable center conductor into the center contact of the connector body and hand tighten the middle nut while maintaining pressure on the cable in the direction of the housing. Place a backup wrench on the connector body and tighten the middle nut until the positive stop (metal to metal) is reached.
Step 7	Place a backup wrench on the middle nut and tighten the back nut until the positive stop (metal to metal) is reached.
Step 8	If using heat shrink or air shrink, install over the connector/equipment port. Shrink according to the manufacturer's recommendation.

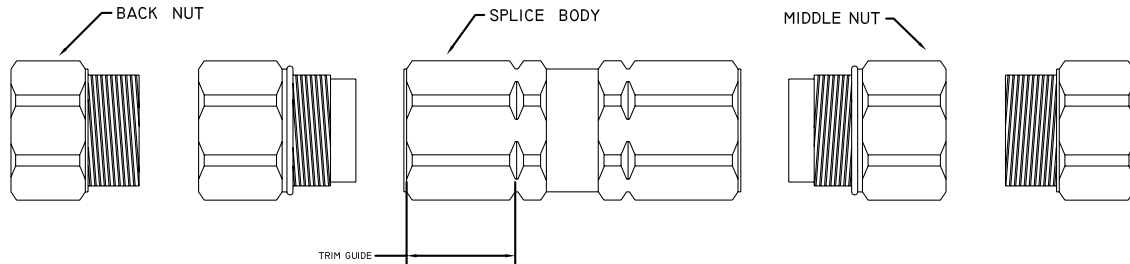
Specifications subject to change without notice

*Customers are reminded that they are **SOLELY** responsible for confirming that Times Fiber Communications products are properly installed and used in accordance with all applicable codes and regulations.*

Assembly Instructions

[Click Here to Return to Table of Contents](#)

SPLICE CONNECTORS

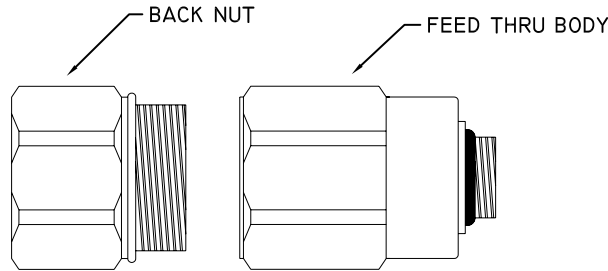


Step 1	Read all instructions before starting assembly procedure.
Step 2	Prepare the cable as shown in Figures 1 and 2 using the appropriate cable prep tools. Expose the cable center conductor to the length shown in the table (A) or use the trim guide on the connector body. Be sure the center conductor has been cleaned to the copper layer using wooden or plastic scrapers. Do not scratch, cut or dent the copper layer. Core depth (B) is shown in the table and can easily be achieved with a standard coring tool. Trim cable jacket to the length given in the table (C). Utilize the jacket stripping tool provided with the coring tool (no knives). Do not cut or dent the aluminum outer conductor while removing the weather jacket.
Step 3	If heat shrink or air shrink is to be used, place it over the cable now.
Step 4	Slide the back nut and the middle nut over the cable outer conductor and jacket until the middle nut bottoms against the end of the cable outer conductor.
NOTE:	It is important that the splice body not be allowed to rotate with respect to the cable.
Step 5	Guide the cable center conductor into the center contact of the connector body and hand tighten the middle nut while maintaining pressure towards the cable. Repeat this process on the second cable.
Step 6	Place a backup wrench on the splice body and tighten one middle nut until the positive (metal to metal) stop is reached. Repeat the process on the second nut. With both positive stops achieved on middle nuts, place a wrench on one middle nut and tighten the adjoining backnut to a positive stop. Repeat this process on the adjoining side.
Step 7	If using heat shrink or air shrink, install over the connector/equipment port. Shrink according to the manufacturer's recommendation.

Assembly Instructions

FEEDTHRU CONNECTORS

[Click Here to Return to Table of Contents](#)



Step 1	Read all instructions before starting assembly procedure.
Step 2	Prepare the cable as recommended by the equipment manufacturer’s instructions using the appropriate cable prep tools. Be sure the center conductor has been leaned to the copper layer using wooden or plastic scrapers. Do not scratch, cut or dent the copper layer. Core depth (B) is shown in the table and can be easily be achieved with a standard coring tool. Trim cable jacket to the length given in the table (C). Utilize the jacket stripping tool provided with the coring tool (no knives). Do not cut or dent the aluminum outer conductor while removing the weather jacket.
Step 3	Remove the connector body from the connector assembly and thread into mating receptacle. If there is a set screw in the receptacle, do not tighten now (this is done last).Tighten connector body to equipment manufacturer’s recommendation.
Step 4	If heat shrink or air shrink is to be used, place it over the cable now.
Step 5	Slide the back nut over the cable outer conductor and insert the cable into the feedthru body until the outer conductor bottoms. If there is a set screw in the receptacle, do not tighten now (this is done last).
Step 6	Hand tighten the back nut to the feedthru body while maintaining pressure on the cable in the direction of the housing.
Step 7	Place a backup wrench on the middle nut and tighten the back nut until the positive stop (metal to metal) is reached.
Step 8	If using heat shrink or air shrink, install over the connector/equipment port. Shrink according to the manufacturer’s recommendation.

Specifications subject to change without notice

*Customers are reminded that they are **SOLELY** responsible for confirming that Times Fiber Communications products are properly installed and used in accordance with all applicable codes and regulations.*

Hardline/Semiflex Part Number Cross Reference

[Click Here to Return to Table of Contents](#)

Pin Connectors

TFC/Amphenol Part Number	Cablecon	PPC	LRC 2 pc	LRC 3 pc	Gilbert
T10/ P3 Connectors					
ACC-500CHT10	PI-500-CH-3	PP500P3TC	EI500K3	EF500W3	GRS-500-CH-DU-03
ACC-625CHT10	PI-625-CH-3	PP625P3TC	EI625K3	EF625W3	GRS-625-CH-DU-02
ACC-875CHT10	PI-875-CH-3	PP875P3TC	EI875K3	EF875W3	GRS-875-CH-DU-02
ACC-1000CHT10	PI-1000-CH-3	PP1000P3TC	EI1000K3	EF1000W3	GRS-1000-CH-DU-01
TX10 Connectors					
ACC-565CHTX	PI-565-CH-TX	PP565TXTC	EI565TX	EF565TX	GRS-565-CH-TX
ACC-700CHTX	PI-700-CH-TX	PP700TXTC	EI700TX	EF700TX	GRS-700-CH-TX
ACC-840CHTX	PI-840-CH-TX	PP840TXTC	EI840TX	EF840TX	GRS-840-CH-TX
ACC-1160CHTX	PI-1160-CH-TX	PP1160TXTC	EI1160TX	EF1160TX	GRS-1160-CH-TX
TX Flexible Feeder Connectors					
ACC-15CHT10U	-----	PP1015TX	-----	-----	G-15Q-CH-TX(QUAD) G-15-CH-TX (60%,TRI)
QR Connectors					
ACC-540CHQR	PI-540-CH-QR	LPP540QRTC	EI540QR	EF540QR	GRS-540-CH-QR
ACC-715CHQR	PI-715-CH-QR	LPP715QRTC	EI715QR	EF715QR	GRS-715-CH-QR
ACC-860CHQR	PI-860-CH-QR	LPP860QRTC	EI860QR	EF860QR	GRS-860-CH-QR
ACC-1125CHQR	PI-1125-CH-QR	LPP1125QRTC	EI1125QR	EF1125QR	GRS-1125-CH-QR
MC² Connectors					
ACC-440CHMC	PI-440-CH-MC	PP440MC2TC	EI440MC2	EF440MC2	GRS-440-CH-MC2
ACC-500CHMC	PI-500-CH-MC	LPP500MC2TC	EI500MC2	EF500MC2	GRS-500-CH-MC2
ACC-650CHMC	PI-650-CH-MC	LPP650MC2TC	EI650MC2	EF650MC2	GRS-650-CH-MC2
ACC-750CHMC	PI-750-CH-MC	LPP750MC2TC	EI750MC2	EF750MC2	GRS-750-CH-MC2
	PI-1000-CH-MC	PP1000MC2TC	EI1000MC2	EF1000MC2	GRS-1000-CH-MC2

Splice Connectors

TFC/Amphenol Part Number	Cablecon	PPC	LRC 2 pc	LRC 3 pc	Gilbert
T10/ P3 Connectors					
ACC-500SPT10	PI-500-SP-3	PS500P3	SI500K3	SFI500W3	GRS-500-SP-DU-03
ACC-625SPT10	PI-625-SP-3	PS625P3	SI625K3	SFI625W3	GRS-625-SP-DU-02
ACC-750SPT10	PI-750-SP-3	PS750P3	SI750K3	SFI750W3	GRS-750-SP-DU-01
ACC-875SPT10	PI-875-SP-3	PS875P3	SI875K3	SFI875W3	GRS-875-SP-DU-02
ACC-1000SPT10	PI-1000-SP-3	PS1000P3	SI1000K3	SFI1000W3	GRS-1000-SP-DU-01
TX10 Connectors					
ACC-565SPTX	PI-565-SP-TX	PS565TX	SI565TX	SFI565TX	GRS-565-SP-TX
ACC-700SPTX	PI-700-SP-TX	PS700TX	SI700TX	SFI700TX	GRS-700-SP-TX
ACC-840SPTX	PI-840-SP-TX	PS840TX	SI840TX	SFI840TX	GRS-840-SP-TX
ACC-1160SPTX	PI-1160-SP-TX	PS1160TX	SI1160TX	SFI1160TX	GRS-1160-SP-TX
TX Flexible Feeder Connectors					
ACC-15SPT10U	-----	PS1015TX	-----	-----	G-15Q-SP-TX(QUAD) G-15-SP-TX (60%,TRI)
QR Connectors					
ACC-540SPQR	PI-540-SP-QR	LPS540QR	SI540QR	SFI540QR	GRS-540-SP-QR
ACC-715SPQR	PI-715-SP-QR	LPS715QR	SI715QR	SFI715QR	GRS-715-SP-QR
ACC-860SPQR	PI-860-SP-QR	LPS860QR	SI860QR	SFI860QR	GRS-860-SP-QR
ACC-1125SPQR	PI-1125-SP-QR	LPS1125QR	SI1125QR	SFI1125QR	GRS-1125-SP-QR
MC² Connectors					
ACC-440SPMC	PI-440-SP-MC	PS440MC2	SI440MC2	SFI440MC2	GRS-440-SP-MC2
ACC-500SPMC	PI-500-SP-MC	LPS500MC2	SI500MC2	SFI500MC2	GRS-500-SP-MC2
ACC-650SPMC	PI-650-SP-MC	LPS650MC2	SI650MC2	SFI650MC2	GRS-650-SP-MC2
ACC-750SPMC	PI-750-SP-MC	LPS750MC2	SI750MC2	SFI750MC2	GRS-750-SP-MC2
	PI-1000-SP-MC	PS1000MC2	SI1000MC2	SFI1000MC2	GRS-1000-SP-MC2

Specifications subject to change without notice

Customers are reminded that they are **SOLELY** responsible for confirming that Times Fiber Communications products are properly installed and used in accordance with all applicable codes and regulations.

Hardline/Semiflex Part Number Cross Reference

[Click Here to Return to Table of Contents](#)

Feedthru Connectors

TFC/Amphenol Part Number	Cablecon	PPC	LRC 2 pc	LRC 3 pc	Gilbert
T10/ P3 Connectors					
ACC-500BT10	PI-500-CH-3	PF500	EMI500P3	-----	GRS-500-B-DU-03
TX10 Connectors					
ACC-565BTX	PI-565-CH-TX	PF565TX	EMI565TX	-----	GRS-565-B-TX
QR Connectors					
ACC-540BQR	PI-540-CH-QR	LPF540QR	EMI540QR	-----	GRS-540-B-QR

Hardline/Semiflex to F Male Connectors

TFC/Amphenol Part Number	Cablecon	PPC	LRC 2 pc	LRC 3 pc	Gilbert
T-10/ P3 Connectors					
ACC-500AFMT10	-----	PP500FMP3	EI500FMK3	EFI500W3	GRS-500-CH-DU-03
ACC-625AFMT10	-----	PP625FMP3	EI625FMK3	EFI625W3	GRS-625-CH-DU-02
ACC-750AFMT10	-----	PP750FMP3	EI750FMK3	EFI750W3	GRS-750-CH-DU-01
ACC-875AFMT10	-----	PP875FMP3	EI875FMK3	EFI875W3	GRS-875-CH-DU-02
ACC-1000AFMT10	-----	PP1000FMP3	EI1000FMK3	EFI1000W3	GRS-1000-CH-DU-01
TX10 Connectors					
ACC-565AFMTX	-----	PP565FMTX	EI565FMTX	EFI565FMTX	GRS-565-AFM-TX
ACC-700AFMTX	-----	PP700FMTX	EI700FMTX	EFI700FMTX	GRS-700-AFM-TX
ACC-840AFMTX	-----	PP840FMTX	EI840FMTX	EFI840FMTX	GRS-840-AFM-TX
ACC-1160AFMTX	-----	PP1160FMTX	EI1160FMTX	EFI1160FMTX	GRS-1160-AFM-TX
TX Flexible Feeder Connectors					
ACC-15AFMT10U	-----	PP1015FMTX	-----	-----	G-15Q-AFM-TX(QUAD) G-15-AFM-TX(60%,TRI)
QR Connectors					
ACC-540AFMQR	-----	LPP540FMQR	EI540FMQR	EFI540FMQR	GRS-540-AFM-QR
ACC-715AFMQR	-----	LPP715FMQR	EI715FMQR	EFI715FMQR	GRS-715-AFM-QR
ACC-860AFMQR	-----	LPP860FMQR	EI860FMQR	EFI860FMQR	GRS-860-AFM-QR
ACC-1125AFMQR	-----	LPP1125FMQR	EI1125FMQR	EFI1125FMQR	GRS-1125-AFM-QR
MC² Connectors					
ACC-500AFMMC	-----	LPP500FMMC2	EI500FMMC2	EFI500FMMC2	GRS-500-AFM-MC2
ACC-650AFMMC	-----	LPP650FMMC2	EI650FMMC2	EFI650FMMC2	GRS-650-AFM-MC2
ACC-750AFMMC	-----	LPP750FMMC2	EI750FMMC2	EFI750FMMC2	GRS-750-AFM-MC2

Specifications subject to change without notice

*Customers are reminded that they are **SOLELY** responsible for confirming that Times Fiber Communications products are properly installed and used in accordance with all applicable codes and regulations.*

Hardline/Semiflex Part Number Cross Reference

[Click Here to Return to Table of Contents](#)

Hardline/Semiflex to F Female Connectors

TFC/Amphenol Part Number	Cablecon	PPC	LRC 2 pc	LRC 3 pc	Gilbert
T-10/ P3 Connectors					
ACC-500BAFFT10	-----	PP500BAFFP3	EI500FFK3	EFI500FFK3	GRS-500-BAFF-DU-03
ACC-625BAFFT10	-----	PP625BAFFP3	EI625FFK3	EFI625FFK3	GRS-625-BAFF-DU-02
ACC-750BAFFT10	-----	PP750BAFFP3	EI750FFK3	EFI750FFK3	GRS-750-BAFF-DU-01
ACC-875BAFFT10	-----	PP875BAFFP3	EI875FFK3	EFI875FFK3	GRS-875-BAFF-DU-02
ACC-1000BAFFT10	-----	PP1000BAFFP3	EI1000FFK3	EFI1000FFK3	GRS-1000-BAFF-DU-01
TX10 Connectors					
ACC-565BAFFTX	-----	PP565BAFFP3	EI565FFTX	EFI565FFTX	GRS-565-BAFF-TX
ACC-700BAFFTX	-----	PP700BAFFP3	EI700FFTX	EFI700FFTX	GRS-700-BAFF-TX
ACC-840BAFFTX	-----	PP840BAFFP3	EI840FFTX	EFI840FFTX	GRS-840-BAFF-TX
ACC-1160BAFFTX	-----	PP1160BAFFP3	EI1160FFTX	EFI1160FFTX	GRS-1160-BAFF-TX
TX Flexible Feeder Connectors					
ACC-15BAFFT10U	-----	PP1015BAFFTX	-----	-----	G-15Q-BAFF-TX(QUAD) G-15-BAFF-TX(60%,TRI)
QR Connectors					
ACC-540BAFFQR	-----	LPP540BAFFQR	EI540FFQR	EFI540FFQR	GRS-540-BAFF-QR
ACC-715BAFFQR	-----	LPP715BAFFQR	EI715FFQR	EFI715FFQR	GRS-715-BAFF-QR
ACC-860BAFFQR	-----	LPP860BAFFQR	EI860FFQR	EFI860FFQR	GRS-860-BAFF-QR
ACC-1125BAFFQR	-----	LPP1125BAFFQR	EI1125FFQR	EFI1125FFQR	GRS-1125-BAFF-QR
MC² Connectors					
ACC-500BAFFMC	-----	LPP500BAFFMC	EI500FFMC2	EFI500FFMC2	GRS-500-BAFF-MC2
ACC-650BAFFMC	-----	LPP650BAFFMC	EI650FFMC2	EFI650FFMC2	GRS-650-BAFF-MC2
ACC-750BAFFMC	-----	LPP750BAFFMC	EI750FFMC2	EFI750FFMC2	GRS-750-BAFF-MC2

Adapters

TFC/Amphenol Part Number	Cablecon	PPC	LRC 2 pc	LRC 3 pc
ACC-15EXT	1.5" Extension	-----	EXT1.75TC	-----
ACC-30EXT	3" Extension	EXT EZ 3 TC	-----	G-EXT-3-1-T
ACC-45EXT	4.5" Extension	-----	EXT4.5TC	-----
ACC-60EXT	6" Extension	EXT EZ 6 TC	EXT6.6TC	G-EXT-6-1-T
ACC-90EXT	9" Extension	EXT EZ 9 TC	EXT9.0=0TC	G-EXT-9-1-T
ACC-120EXT	12" Extension	-----	-----	G-EXT-12-1-T
ACC-AFM	AFM-Adapter	C CH AFM	-----	C-CH-AFM
ACC-BAFF	BAFF-Adapter	C CH BAFF	KS FF ADAP	G-CH-BAFF-KS
ACC-F625CHDCB	F-625-CH-DCB	CF 61 625 PB TC	F625BETC	GF-625-CH-DCB-T
ACC-F625CH	F-625-CH-000	CF 61 G1 A TC	F625ETC	GF-625-CH-T
ACC-HSGHSGF	KS-KS-F-0000	C KS KS HFS	-----	G-KS-KS-F
ACC-18015EXT	L-180-W/1.5	CP PA 180 3.0 TC	EU180-3.0	GP-PA-3.0-T
ACC-18030EXT	L-180-W/3	CP PA 180 TC	EU180-4.5	GP-PA-T
ACC-90	L-90	CP 90 TC	EU90TC	GP-90-T
ACC-9015EXT	L-90-W/1.5	CP 90 1.5 TC	EU90-3.0TC	GP-90-3.0-T
ACC-9030EXT	L-90-W/3	CP 90 3 TC	EU90-4.5TC	GP-90-4.5-T
ACC-9045EXT	L-90-W/4.5	CP 90 4.5 TC	EU90-6.0TC	-----
ACC-PSB-01	P-SPB	TSPB	HSB	G-SPB
ACC-TRM-01	TRM-0000000	UMTRTC	625TRBTC	GTR-M-T

Specifications subject to change without notice

Customers are reminded that they are **SOLELY** responsible for confirming that Times Fiber Communications products are properly installed and used in accordance with all applicable codes and regulations.

Connector Weights

[Click Here to Return to Table of Contents](#)

Pin Connectors

Part Number	Weight*, oz. (gm.)
ACC-412CHT10	4 (113)
ACC-500CHT10	4 (113)
ACC-625CHT10	5 (142)
ACC-750CHT10	6 (170)
ACC-875CHT10	7 (198)
ACC-1000CHT10	7 (198)
ACC-565CHTX	5 (142)
ACC-700CHTX	6 (170)
ACC-840CHTX	7 (198)
ACC-1160CHTX	8 (227)
ACC-500CHMC	4 (113)
ACC-650CHMC	5 (142)
ACC-1000CHMC	8 (227)
ACC-540CHQR	5 (142)
ACC-715CHQR	6 (170)
ACC-860CHQR	7 (198)
ACC-1125CHQR	9 (255)

*All Weights Are Approximate Per Connector

Splice Connectors

Part Number	Weight*, oz. (gm.)
ACC-412SPT10	7 (198)
ACC-500SPT10	7 (198)
ACC-625SPT10	8 (142)
ACC-750SPT10	10 (283)
ACC-875SPT10	11 (312)
ACC-1000SPT10	11 (312)
ACC-565SPTX	8 (142)
ACC-700SPTX	10 (283)
ACC-840SPTX	11 (312)
ACC-1160SPTX	12 (340)
ACC-500SPMC	7 (198)
ACC-650SPMC	8 (142)
ACC-1000SPMC	12 (340)
ACC-540SPQR	8 (142)
ACC-715SPQR	10 (283)
ACC-860SPQR	11 (312)
ACC-1125SPQR	13 (369)

Adapters & Misc.

Part Number	Weight*, oz. (gm.)
ACC-440BMC	3 (85)
ACC-500BMC	3 (85)
ACC-500BT10	3 (85)
ACC-540BQR	4 (113)
ACC-565BTX	4 (113)
ACC-625BT10	4 (113)
ACC-15EXT	2 (57)
ACC-90	2 (57)
ACC-9030EXT	5 (142)
ACC-18030EXT	7 (198)
ACC-HSGHSG	3 (85)
ACC-PSB-S	5 (142)
ACC-PSB-01	5 (142)
ACC-TRM	1 (28)
ACC-AFM	1 (28)
ACC-BAFF	1 (28)
ACC-BAFF-GND	1 (28)
ACC-F625CH	1 (28)
ACC-F625CHDCB	1 (21)

Connector Hex Sizes

QUICK REFERENCE FOR PROPER WRENCHES

Connector Type/ Cable Size	Hex Size, in. (mm.)
.440MC .500MC .500T10	1.000 (25)
.540QR .565TX .625T10 .650MC	1.125 (28)
.715QR .840TX .875T10	1.375 (35)
.860QR 1.00T10	1.500 (38)
1.000MC 1.25QR 1.160TX	1.750 (44)

Sizes are good for pins, splices, feedthrus, F male and F female.

Specifications subject to change without notice

*Customers are reminded that they are **SOLELY** responsible for confirming that Times Fiber Communications products are properly installed and used in accordance with all applicable codes and regulations.*

Pin Connector Specification Sheet

[Click Here to Return to Table of Contents](#)

Measurement	Test Method	Specification
Impedence	TFC ETP029E	75 +/- 2Ω
Return Loss	TFC ETP030E	>30 dB min.
Insertion Loss	TFC ETP031E	5-500 MHz -- 0.07dB 501-750 MHz -- 0.10dB 751-1000 MHz -- 0.20dB
Shielding Effectiveness	SCTE IPS-TP-403B1 Prelim)	>110 dB to 1 GHz
Insulation Resistance	Mil-std-202 Method 302	5000 MΩ min.
Voltage Withstanding	Mil-std-202 Method 301	1kV min.
Cable Retention	GR-2846-CORE [14]	See following table
Water Immersion	APH-TP-004	200 MΩ min.
Corrosion (Salt Spray)	GR-2846-CORE [36]	< 10 mΩ max. change
Pressure	TFC ETP036M	40 psi min. (275 kPa)
Cable/Connector Torque	GR-2846-CORE [15]	Not applicable. Positive stop
Connector/Interface Torque	GR-2846-CORE [21]	Not applicable. Positive stop
Pollutants	GR-2846-CORE [38]	10 mΩ max. change
Chemical Resist	GR-2846-CORE [40]	Visual using 10X magnification

Cable Retention Specification

Cable Size, in. (mm.)	Axial Force lbs. (kN)
.412-.440 (10-11)	350 (1.6)
.500-.540 (13-14)	500 (2.2)
.565 (14)	575 (2.6)
.625 (16)	600 (2.7)
.700 (18)	650 (2.7)
.715 (18)	650 (2.9)
.750 (19)	700 (3.1)
.840 (21)	750 (3.3)
.860 (22)	795 (3.5)
.875 (22)	800 (3.6)
1.000-1.125 (25-29)	950 (4.2)
1.160 (29)	1025 (4.6)

Applicable Part Numbers: ACC-XXX-CH-XXX

Packaging Information

[Click Here to Return to Table of Contents](#)

TFC/Amphenol Part Number	Quantity Per Carton	Weight (lbs) Per Carton
ACC-1000AFMT10	25	15
ACC-1000BAFFT10	25	15
ACC-1000CHT10	25	13
ACC-1000SPT10	25	25
ACC-1125AFMQR	25	20
ACC-1125BAFFQR	25	19
ACC-1125CHQR	25	18
ACC-1125SPQR	25	33
ACC-1160AFMTX	25	18
ACC-1160BAFFT	25	17
ACC-1160CHTX	25	17
ACC-1160SPTX	25	30
ACC-120EXT	48	30
ACC-15AFMT10U	30	14
ACC-15CHT10U	50	11
ACC-15EXT	48	5
ACC-15SPT10U	48	21
ACC-18015EXT	34	13
ACC-18015EXT-S	34	13
ACC-18030EXT	28	14
ACC-18030EXT-S	28	14
ACC-18045EXT	24	13
ACC-18045EXT-S	24	13
ACC-18060EXT	18	13
ACC-18060EXT-S	18	13
ACC-18075EXT	12	14
ACC-18090EXT	10	13
ACC-30EXT	48	8
ACC-45EXT	48	12
ACC-500SPT10	48	21
ACC-500SPT1015U	48	21
ACC-540AFMQR	30	19
ACC-540BAFFQR	30	17
ACC-540BQR	48	12
ACC-540CHQR	50	17
ACC-540SPQR	48	28
ACC-565BAFFT	30	16
ACC-565AFMTX	30	16
ACC-565BTX	48	11
ACC-565CHTX	50	15
ACC-565AFMTX	30	11
ACC-565SPTX	48	27
ACC-60EXT	48	16
ACC-625AFMT10	30	17
ACC-625BAFFT10	30	16
ACC-625BT10	48	11
ACC-625CHP20	50	15
ACC-625CHT10	50	15
ACC-625SPP20	48	26
ACC-625SPT10	48	27
ACC-700AFMTX	30	11

TFC/Amphenol Part Number	Quantity Per Carton	Weight (lbs) Per Carton
ACC-700BAFFT	30	11
ACC-700CHTX	50	20
ACC-700SPTX	25	17
ACC-715AFMQR	30	16
ACC-715BAFFQR	30	16
ACC-715CHQR	50	24
ACC-715SPQR	25	23
ACC-750AFMT10	30	11
ACC-750BAFFT10	30	10
ACC-750CHT10	50	18
ACC-750SPT10	25	17
ACC-840AFMTX	30	15
ACC-840BAFFT	30	12
ACC-840CHTX	50	22
ACC-840SPTX	25	20
ACC-860AFMQR	30	19
ACC-860BAFFQR	30	15
ACC-860CHQR	50	28
ACC-860SPQR	25	26
ACC-875AFMT10	30	13
ACC-875BAFFT10	30	12
ACC-875CHT10	50	12
ACC-875SPT10	25	20
ACC-90	48	7
ACC-9015EXT	48	12
ACC-9015EXT-S	48	12
ACC-9030EXT	48	16
ACC-9030EXT-S	48	16
ACC-9045EXT	48	20
ACC-9045EXT-S	48	20
ACC-9060EXT	48	24
ACC-9060EXT-S	48	24
ACC-9075EXT	48	28
ACC-9090EXT	48	32
ACC-90EXT	48	19
ACC-90-S	48	7
ACC-AFM	100	6
ACC-BAFF	100	4
ACC-F625CH	48	4
ACC-F625CHDCB	48	4
ACC-HSGHSGF	48	4
ACC-HSGHSGNR	48	9
ACC-PSB-01	48	9
ACC-PSB-S	48	15
ACC-SW90	48	8
ACC-SW90-S	48	7
ACC-SW9015EXT	48	12
ACC-SW9015EXT-S	48	12
ACC-SW9030EXT	48	16
ACC-SW9030EXT-S	48	16
ACC-TRM-01	48	3

Contact your local TFC/Amphenol sales representative for connectors not listed

Specifications subject to change without notice

*Customers are reminded that they are **SOLELY** responsible for confirming that Times Fiber Communications products are properly installed and used in accordance with all applicable codes and regulations.*

Part Number Index

[Click Here to Return to Table of Contents](#)

TFC/AMPHENOL PART NUMBER	DESCRIPTION	PAGE NO.
Hardline/Semiflex Connectors/Adapters for TFC T10 and CommScope PIII Cables		
ACC-412CHT10	412 cable, pin connector	4
ACC-412SPT10	412 cable, splice connector	5
ACC-412BAFFT10	412 cable, hardline to F female adapter	8
ACC-500CHT10	500 cable, pin connector	4
ACC-500BT10	500 cable, splice connector	6
ACC-500SPT10	500 cable, feedthru connector	5
ACC-500AFMT10	500 cable, hardline to F male adapter	7
ACC-500BAFFT10	500 cable, hardline to F female adapter	8
ACC-625CHT10	625 cable, pin connector	4
ACC-625SPT10	625 cable, splice connector	5
ACC-625AFMT10	625 cable, hardline to F male adapter	7
ACC-625BAFFT10	625 cable, hardline to F female adapter	8
ACC-750CHT10	750 cable, pin connector	4
ACC-750SPT10	750 cable, splice connector	5
ACC-750AFMT10	750 cable, hardline to F male adapter	7
ACC-750BAFFT10	750 cable, hardline to F female adapter	8
ACC-875CHT10	875 cable, pin connector	4
ACC-875SPT10	875 cable, splice connector	5
ACC-875AFMT10	875 cable, hardline to F male adapter	7
ACC-875BAFFT10	875 cable, hardline to F female adapter	8
ACC-1000CHT10	1000 cable, pin connector	4
ACC-1000SPT10	1000 cable, splice connector	5
ACC-1000AFMT10	1000 cable, semiflex to F male adapter	7
ACC-1000BAFFT10	1000 cable, semiflex to F female adapter	8
Hardline/Semiflex Connectors/Adapters for TFC TX10 Cables		
ACC-565CHTX	565 cable, pin connector	4
ACC-565BTX	565 cable, splice connector	6
ACC-565SPTX	565 cable, feedthru connector	5
ACC-565AFMTX	565 cable, hardline to F male adapter	7
ACC-565BAFFTX	565 cable, hardline to F female adapter	8
ACC-700CHTX	700 cable, pin connector	4
ACC-700SPTX	700 cable, splice connector	5
ACC-700AFMTX	700 cable, hardline to F male adapter	7
ACC-700AFMTX	700 cable, hardline to F female adapter	8
ACC-840CHTX	840 cable, pin connector	4
ACC-840SPTX	840 cable, splice connector	5
ACC-840AFMTX	840 cable, hardline to F male adapter	7
ACC-840BAFFTX	840 cable, hardline to F female adapter	8
ACC-1160CHTX	1160 cable, pin connector	4
ACC-1160SPTX	1160 cable, splice connector	5
ACC-1160AFMTX	1160 cable, semiflex to F male adapter	7
ACC-1160BAFFTX	1160 cable, semiflex to F female adapter	8
Hardline/Semiflex Connectors for TFC TX Flexible Feeder Cables		
ACC-15CHT10U	Flexible Feeder cable, pin connector	4
ACC-15SPT10U	Flexible Feeder cable, splice connector	5
ACC-15AFMT10U	Flexible Feeder cable, hardline/semiflex to F male adapter	7
ACC-15BAFFT10U	Flexible Feeder cable, hardline/semiflex to F female adapter	8

Part Number Index

[Click Here to Return to Table of Contents](#)

TFC/AMPHENOL PART NUMBER	DESCRIPTION	PAGE NO.
Hardline/Semiflex Connectors/Adapters for CommScope QR Cables		
ACC-540CHQR	540 cable, pin connector	4
ACC-540BQR	540 cable, splice connector	6
ACC-540SPQR	540 cable, feedthru connector	5
ACC-540AFMQR	540 cable, hardline to F male adapter	7
ACC-540BAFFQR	540 cable, hardline to F female adapter	8
ACC-715CHQR	715 cable, pin connector	4
ACC-715SPQR	715 cable, splice connector	5
ACC-715AFMQR	715 cable, hardline to F male adapter	7
ACC-715BAFFQR	715 cable, hardline to F female adapter	8
ACC-860CHQR	860 cable, pin connector	4
ACC-860SPQR	860 cable, splice connector	5
ACC-860AFMQR	860 cable, hardline to F male adapter	7
ACC-860BAFFQR	860 cable, hardline to F female adapter	8
ACC-1125CHQR	1125 cable, pin connector	4
ACC-1125SPQR	1125 cable, splice connector	5
ACC-1125AFMQR	1125 cable, semiflex to F male adapter	7
ACC-1125BAFFQR	1125 cable, semiflex to F female adapter	8
Hardline/Semiflex Connectors/Adapters for Trilogy MC2		
ACC-440CHMC	440 cable, pin connector	4
ACC-440SPMC	440 cable, feedthru connector	5
ACC-500CHMC	500 cable, pin connector	4
ACC-500SPMC	500 cable, feedthru connector	5
ACC-500AFMMC	500 cable, hardline to F male adapter	7
ACC-500BAFFMC	500 cable, hardline to F female adapter	8
ACC-650CHMC	650 cable, pin connector	4
ACC-650SPMC	650 cable, splice connector	5
ACC-650AFMMC	650 cable, hardline to F male adapter	7
ACC-650BAFFMC	650 cable, hardline to F female adapter	8
ACC-750CHMC	750 cable, pin connector	4
ACC-750SPMC	750 cable, splice connector	5
ACC-750AFMMC	750 cable, hardline to F male adapter	7
ACC-750BAFFMC	750 cable, hardline to F female adapter	8
ACC-1000CHMC	1000 cable, pin connector	4
ACC-1000SPMC	1000 cable, splice connector	5
Hardline/Semiflex Connectors/Adapters for CommScope P1 Cable		
ACC-412CHP1	412 cable, pin connector	4
ACC-412SPP1	412 cable, splice connector	5
ACC-500CHP1	500 cable, pin connector	4
ACC-500SPP1	500 cable, splice connector	5
ACC-750CHP1	750 cable, pin connector	4
ACC-750SPP1	750 cable, splice connector	5

Specifications subject to change without notice

*Customers are reminded that they are **SOLELY** responsible for confirming that Times Fiber Communications products are properly installed and used in accordance with all applicable codes and regulations.*

Part Number Index

[Click Here to Return to Table of Contents](#)

TFC/AMPHENOL PART NUMBER	DESCRIPTION	PAGE NO.
Miscellaneous		
ACC-HSGHSGF	Female adapter for 5/8" pin connector to 5/8" pin connector	11
ACC-90	90 deg adapter	10
ACC-9015EXT	90 deg adapter & 1.5" extension	10
ACC-9030EXT	90 deg adapter & 3" extension	10
ACC-9045EXT	90 deg adapter & 4.5" extension	10
ACC-9060EXT	90 deg adapter & 6" extension	10
ACC-SW90	Swivel 90 degree adapter	10
ACC-SW9015EXT	Swivel 90 degree adapter with 1.5" extension	10
ACC-SW9030EXT	Swivel 90 degree adapter with 3" extension	10
ACC-18015EXT	180 deg adapter & 1.5" extension	9
ACC-18030EXT	180 deg adapter & 3" extension	9
ACC-18045EXT	180 deg adapter & 4.5" extension	9
ACC-18060EXT	180 deg adapter & 6" extension	9
ACC-15EXT	Straight 1.5" extension	9
ACC-30EXT	Straight 3" extension	9
ACC-45EXT	Straight 4.5" extension	9
ACC-60EXT	Straight 6" extension	9
ACC-90EXT	Straight 9" extension	9
ACC-120EXT	Straight 12" extension	9
ACC-PSB-01	Pedestal splice block	11
ACC-PSB-S	Pedestal splice block siezureless	11
ACC-TRM-01	Terminator	11
ACC-F-625-CH	F female to 5/8" pin adapter for 5/8" female housing	12
ACC-F-625-CH-DCB	F female to 5/8" pin adapter with DC block for 5/8" female housing	12
ACC-AFM	F male to 5/8" female adapter for 5/8" pin connector	12
ACC-BAFF	F female to 5/8" female adapter for 5/8" pin connector	12



The Company

Amphenol Corporation is one of the largest manufacturers of interconnect products in the world. The company designs, manufactures and markets RF/microwave connectors; flat ribbon cable and interconnect systems; CATV cable and connectors; electronic connectors; and fiber-optic management equipment. The primary end markets for Amphenol products are communications and information processing, including cable television, cellular telephone, data communications and instrumentation; aerospace and military; automotive, rail and transportation; and industrial applications.

Amphenol Corporation is a world leader in providing integrated interconnect solutions to the telecommunications industry. Recognized worldwide as a technology leader in the wireless market, Amphenol offers a full complement of RF coaxial products from Mini-UHF connectors used on cellular subscriber units to low intermodulation 7-16 DIN connectors used on cellular base stations. Today, Amphenol is a major player in this global arena; a position founded on the combined strengths of a broad product line and a leadership role in product innovation.

As the information super highway expands, the demand for interconnect solutions continues to grow into new and exciting areas. Amphenol is a leading producer of broadband coaxial cable, connectors and fiber optic interconnect components. Amphenol is uniquely capable of supplying the complete Hybrid Fiber/Coaxial (HFC) interconnect systems which form the backbone of the information super highway. As a result, every household, business, private and government institution is a potential customer and will depend on Amphenol's commitment to quality and product innovation.

In the area of computers and electronic data interchange, Amphenol continues to concentrate on the fastest growing segments; such as cable assemblies and line terminators which bring reliable miniaturized solutions to LANS and other interactive communications networks, to high density connectors utilized in next generation global telecommunications switching systems.

Amphenol's ability to provide fully integrated solutions even extends into the arena of smart card technology, where microchips and sophisticated chip card acceptor devices are being combined for a growing number of applications from banking, to security, to medicine, to voice recognition systems.

Maintaining this position as a leader in the field of communications requires close interaction with a worldwide customer base through international management teams, distributed manufacturing, global quality assurance programs and sophisticated distribution networks. By remaining totally committed to the customer, Amphenol provides the very highest levels of quality and responsive service around the world.

TFC Division

Times Fiber Communications, Inc (TFC) is one of the world's largest manufacturers of broadband coaxial cable with experience extending over half a century. Our complete range of CATV products are used in the cable television, satellite, data networking, automotive, and distributed power industries. These include the world class T10 and TX low-loss semiflex trunk and distribution cables and T10 service entry drop cables. TFC/Amphenol is pleased to offer a full line of semiflex cable connectors to meet the demanding requirements of HFC broadband infrastructures of CATV Multiple System Operators and telephone companies worldwide.

Commitment to Customer Service

For over 50 years, leading manufacturers of communications, consumer, industrial and aerospace products have relied on TFC/Amphenol to provide total interconnect solutions. Maintaining this high level of customer trust requires a total concern for complete customer satisfaction at all levels - from engineering, to manufacturing, to quality assurance. Since many products are custom designed to individual customer specifications, often for the harshest environments, it is critical that a teamwork approach be taken involving the customer at all levels. It starts with the product and applications engineers who listen closely to customer needs, combining solid analytic skills with the latest CAE and CAD tools to quickly and cost effectively solve problems.

TFC/Amphenol also employs multifunctional teams to ensure that all products are designed for manufacturability. Serving the needs of our customers also requires a strong worldwide manufacturing presence. That's why we operate advanced production and assembly facilities strategically located across three continents. Yet, our quality remains exceptionally uniform and internationally standardized, from raw materials testing, through design engineering, to automated manufacturing and subassembly, to fully documented and traceable test procedures developed in accordance with customer specifications. TFC/Amphenol also employs Statistical Process Control and has obtained ISO 9000 Certification for all its production facilities worldwide. As a result, we offer precisely what every customer is looking for - world class quality at the lowest possible cost.

Specifications subject to change without notice

*Customers are reminded that they are **SOLELY** responsible for confirming that Times Fiber Communications products are properly installed and used in accordance with all applicable codes and regulations.*

Amphenol Information

[Click Here to Return to Table of Contents](#)

TFC/Amphenol®
358 Hall Avenue
Wallingford, Connecticut 06492
Tel: (203) 265-8500 Fax: (203) 265-8422
timesfiber.com

TFC/Amphenol offers a full line of broadband equipment including:

T10 Semiflex Coaxial Cable
TX Low Loss Semiflex Coaxial Cable
T10 Drop Cables
Automotive Coaxial Cables
Direct Broadcast Satellite Coaxial Cables
Fiber Optic Management Equipment

TFC/Amphenol Locations

TFC/Amphenol North America	TFC/Amphenol Latin America	TFC/Amphenol Asia
Wallingford, Connecticut 06492 358 Hall Avenue Tel: 203-265-8500 Fax: 203-265-8422	Corrientes, Argentina W3400CFL San Lorenzo 888 - Suite 1H Tel: 011-54-3783-42-9300 Fax: 011-54-3783-42-2774	Chung Nam-Do, 339-860 South Korea 167-4 Nae Pan-Ri, Dong-Meon Tel: 011-82-41-864-0858 Fax: 011-82-41-864-0436
Chatham, Virginia 24531 380 Tightsqueeze Industrial Road Tel: 434-432-8554 Fax: 434-432-1836	Nogales, Arizona 85621 180 N. Freeport Drive W-10 Tel: 520-397-7026 Fax: 520-397-7087	
Renfrew, Ontario, Canada K7V 3Z2 580 O'Brien Road Tel: 613-432-8554 Fax: 613-432-6888	Campinas, Sao Paulo, Brazil Km. 121,5 (SP340) CEP 13088-061 Tel: 011-55-19-3757-1166 Fax: 011-55-19-3257-1255	
Liberty, North Carolina 27298 7279 Liberty Park Tel: 336-622-8104 Fax: 336-622-8104		

Specifications subject to change without notice